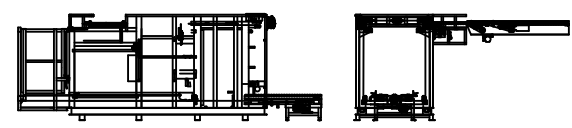
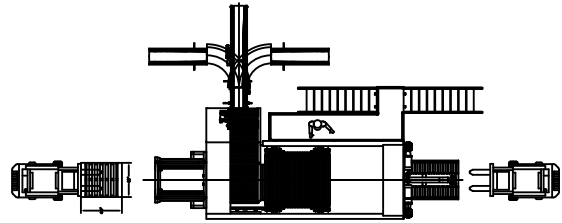
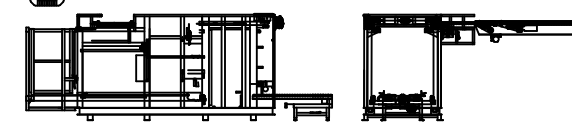
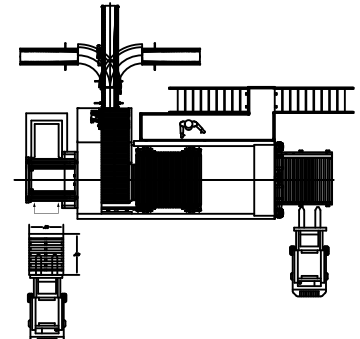


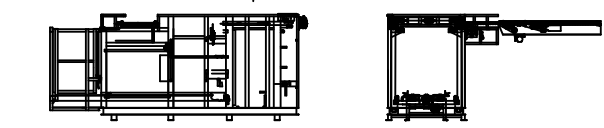
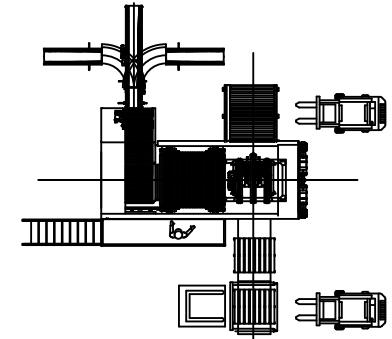
NOTE: CASE MUST ALIGNED TO CASE TURNER  
 SIDE PRIOR TO P.A.I. BELT INFEED. 460VOLTS, 80 AMP,  
 20CFM @60 PSI. MORE CONFIGURATION OPTIONS UPON REQUEST.  
 THESE ARE CONCEPT DRAWINGS ONLY AND MAY NOT BE DIMENSIONALLY  
 CORRECT. PLEASE CHECK WITH P.A.I. FOR THE LASTEST LAYOUTS.



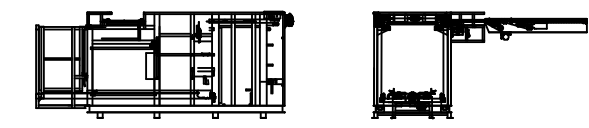
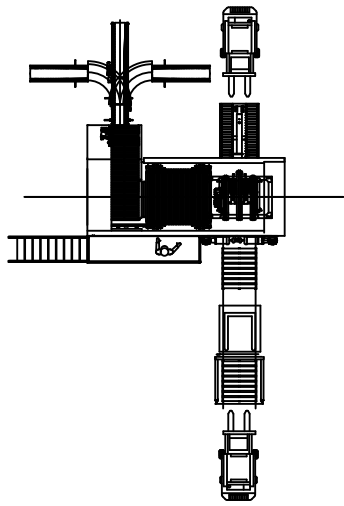
CONFIGURATION A



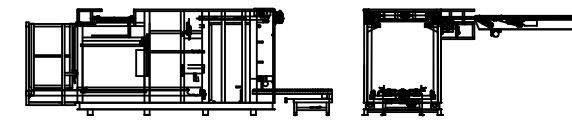
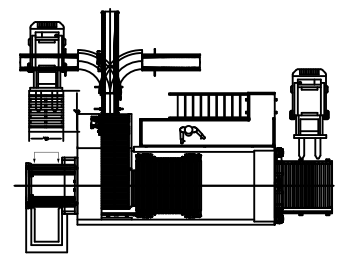
CONFIGURATION B



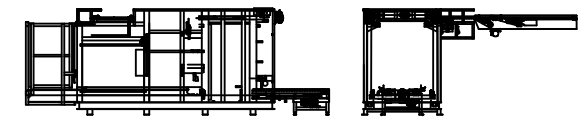
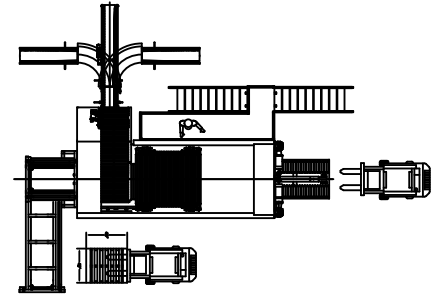
CONFIGURATION C



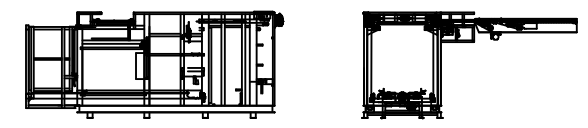
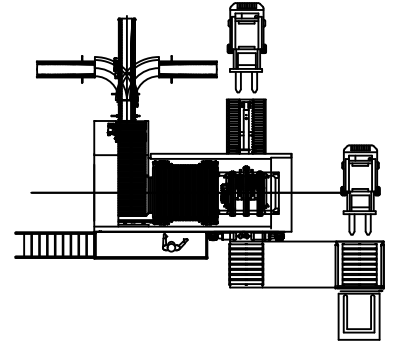
CONFIGURATION D




CONFIGURATION E



CONFIGURATION F



CONFIGURATION G

 <b>PRODUCTION          AUTOMATION          INC.</b> <small>PALLETIZERS ■ DEPALLETIZERS          AUTOMATED MATERIAL HANDLING          SYSTEMS</small> <small>mecheng@palletizers.com          2075 EXCHANGE STREET          MONTGOMERY          ALABAMA 36116</small>				DWN BY	TOD	TITLE					
				CKD BY		4500 CONFIGURATION LAYOUT					
				DATE	6-18-07	SCALE	N/T/S	FILE	REQ'D	CODE	DRAWING NO.
				ASSY No		REF.	4500	SALES	NOTED	s	070616-D
	MARK	DATE	REVISIONS								